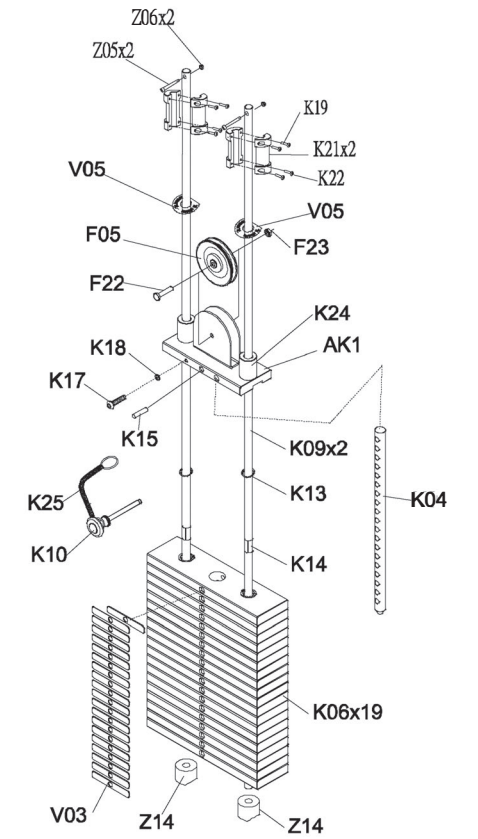
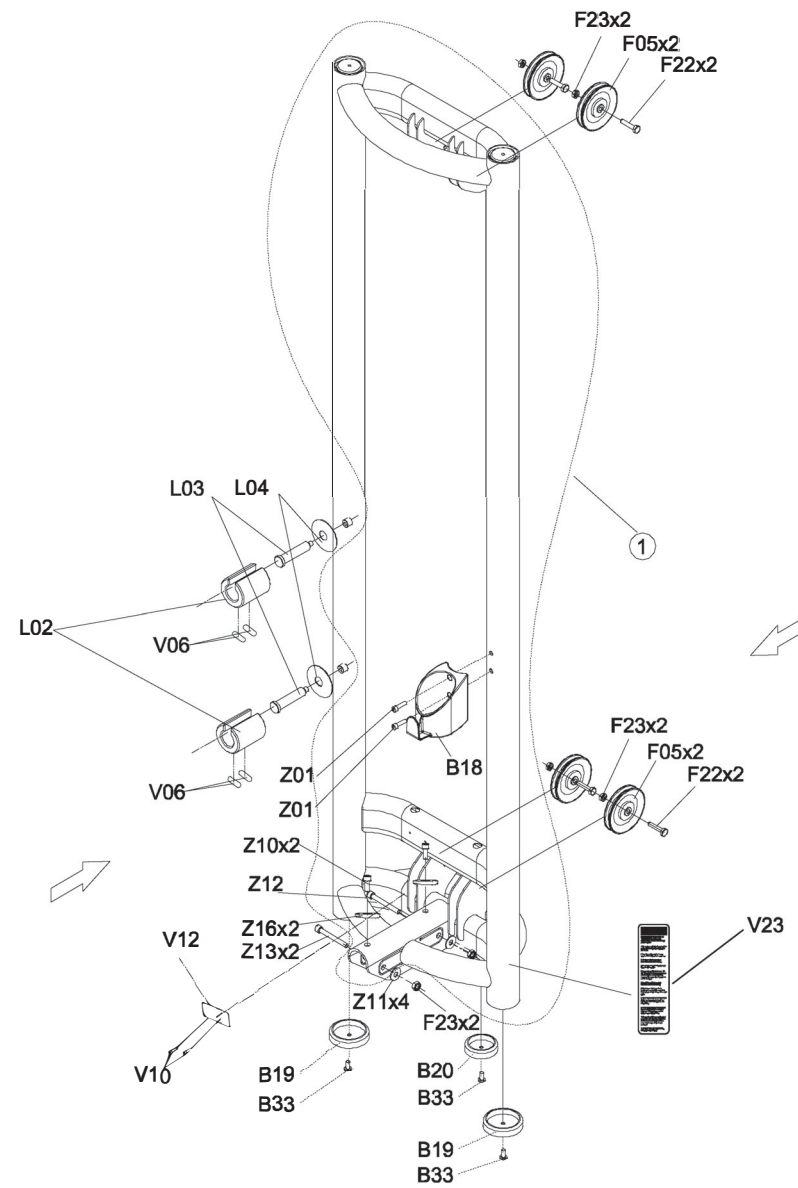
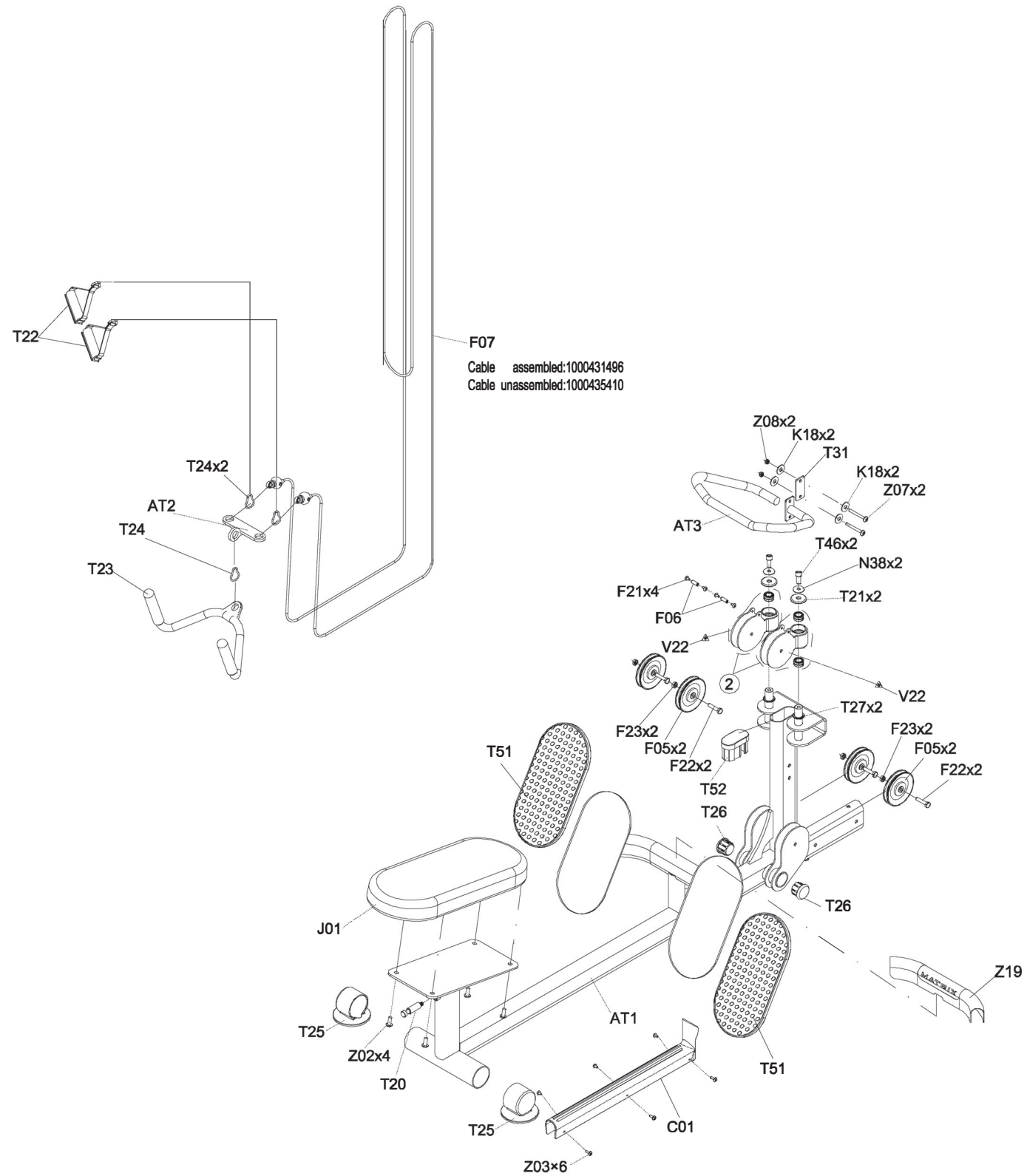
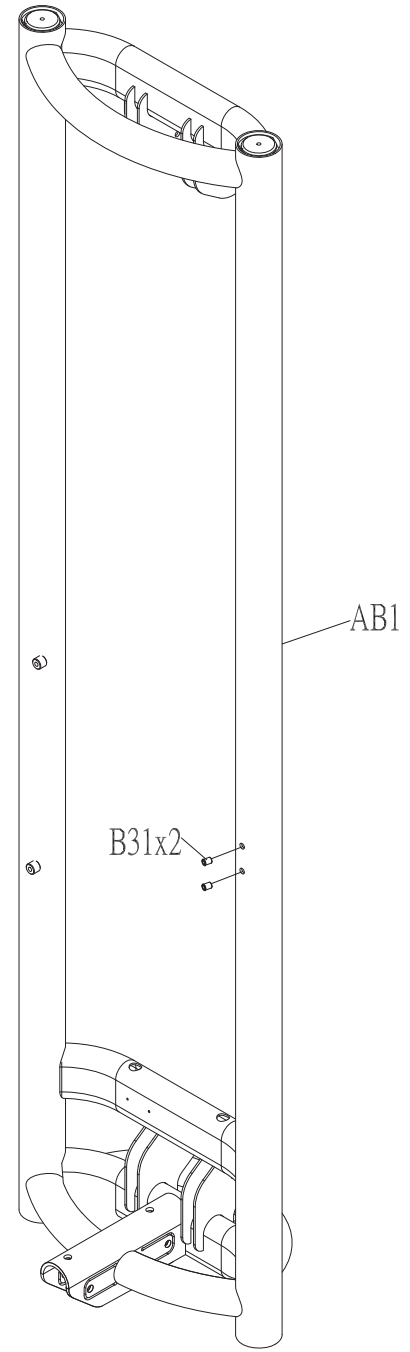


DRAWING NO	MS53-SF03		
PART NAME	MS53KM-G3		
PART NO	1000330391	REV	A
APPROVE	Taoyongchun	DATE	01.11.2019



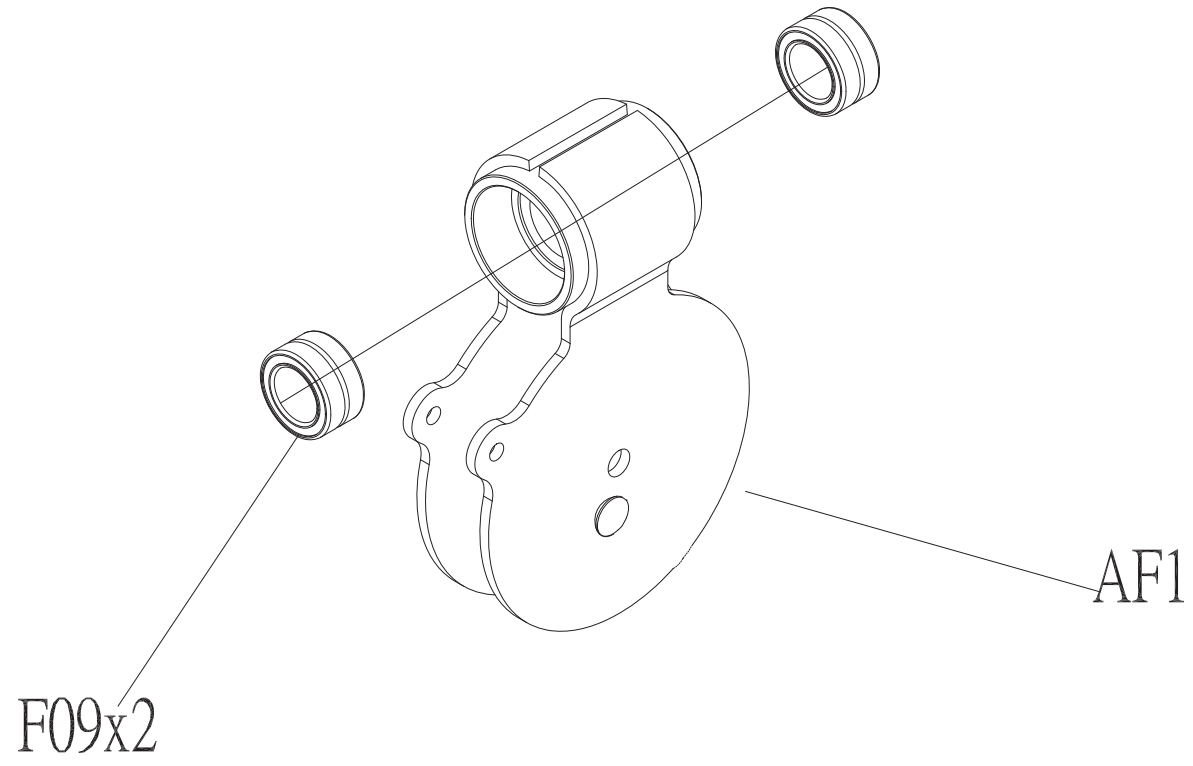
DRAWING NO			
PART NAME	Frame Set;Semi-Assy;MS53KM-G3		
PART NO	See chart	REV	A
APPROVE	Ares	DATE	06/25/14

Coulour	Part no.
Default	097477
Black Matte	1000320871
Iced Sliver	1000349150

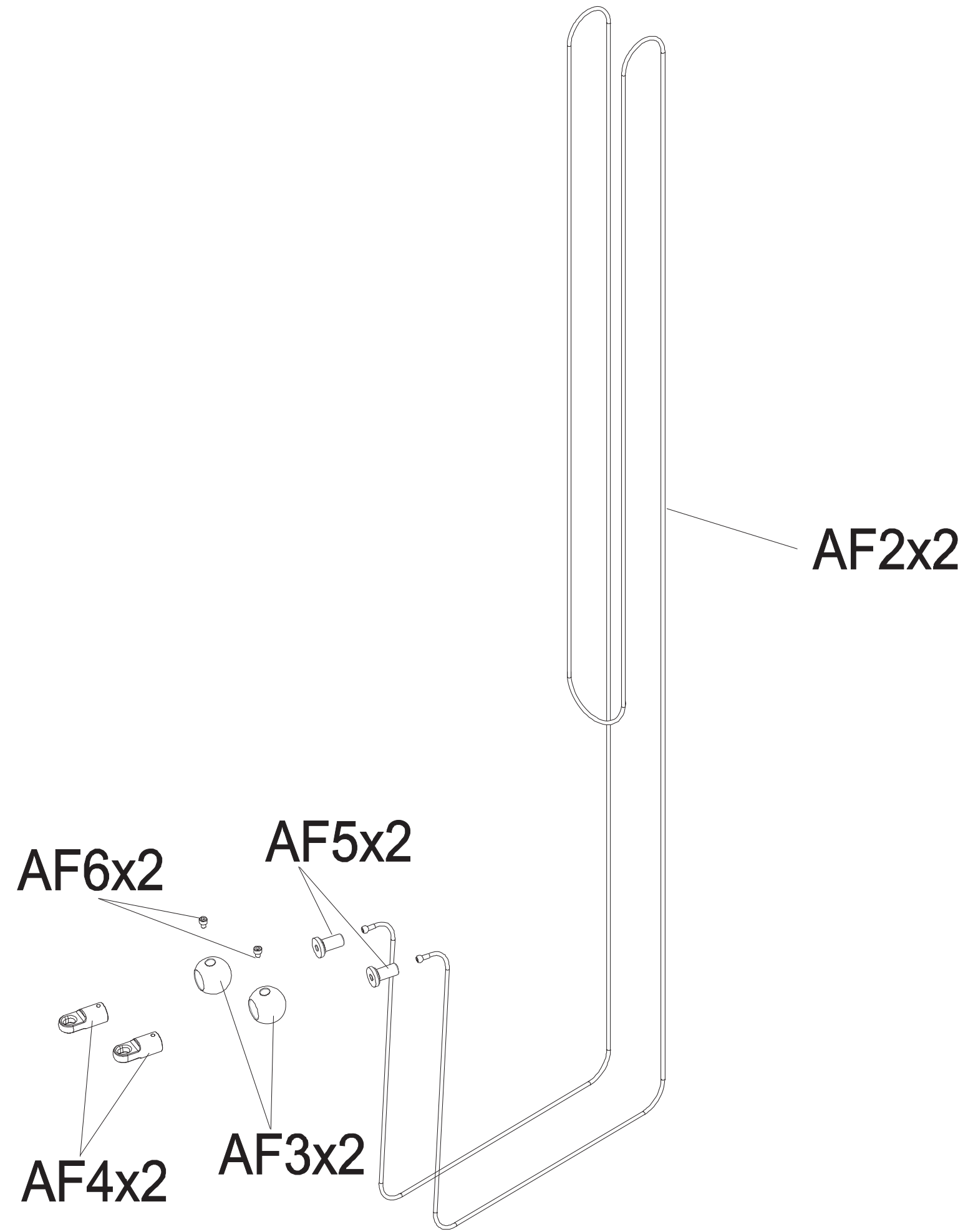


DRAWING NO			
PART NAME	Movable Pulley Fixing Set;MS53		
PART NO	See chart	REV	A
APPROVE	Ares	DATE	06/25/14

Coulour	Part no.
Default	1000349148
Black Matte	1000320868
Iced Sliver	089905



DRAWING NO	MS53-SF35		
PART NAME	Rendering;Steel Rope Unassembled;MS53		
PART NO	1000435410	REV	A
APPROVE	Taoyongchun	DATE	12192018



Reference Number	Part #	Description	Notes
1	1000349147	Frame set;;;Iced Sliver;MS51KM-G3;;Servi	
2	089910	GRIP SET;MS50	
AB5	1000363588	Stopper set;Guide Rod;;;painting;;;MS20;	See "Guide Rod Stops" in Service Bulletins.
AE1	089910	GRIP SET;MS50	
AF3	1000431432	Plastic Ball;Steel Rope;;PA66+GF30%;;;MS	
AF4	1000431435	Fix Block;Rop;;;Chrome;MS10;;	
AF5	1000431433	Protect Bushing;Steel Rope;;PU;BL/Black	
AF6	1000305873	Screw;Socket Head;M5X0.8PX6L;;Hex Socket	
AK1	1000318313	Up Weight Plate Set-Exreawork;;;;;MS51;	
AN1	1000375576	Lower Pull Set;;;painting;;;Iced Sliver;M	Iced silver paint
AT1	1000349394	Seat Set;;;painting;;;Iced Sliver;MS51KM-	
AT2	1000215795	Cable Connection Plate	
B18	000791-B	Water Bottle Holder	
B19	000510-D	Foot Pad;Rubber;76.2mm	
B20	000508-D	Foot Pad;Rubber;60mm	
B31	1000444959	RVN;;A2-M8-BF;;;	
B33	1000102893	Screw;Hex Socket;Flat;M8x1.25Px20L;Cr Pl	
F06	073573	Pulley; 115mm	
F07	009247-A	Axle;Swivel;;S45C;10x25L	
F08	1000474131	Steel Rope Set;;;No Fix Block;Press Rope	Contains AF2, AF3, AF5.
F09	004077-A2	Ball Bearing;6004ZZ;20X42X12T;;SKF;;;	
F21	087955	Screw;BH;M6X1.0PX10L;;HS;;CHM;;BP	
F22	1000104720	Screw;HH;M10x1.5Px45L;P-T15L;CHM;BP;G8.8	
H07	009289-F	Adjustable Axle;Back Pad ;GM03	
H08	004118-00	Bearing;Dry;Flange;LEF-2015 LFF-2015	
H09	013411-Z1G2	Adjust Pin Assembly;Yellow Knob	Full pull pin set; includes yellow knob.
H09	1000099693	Pull Pin Set;Orange Knob	Full pull pin set; includes orange knob.
H09	019153-A	Pull pin knob; Yellow	Yellow knob only.

H09	1000090177	Pull Pin Handle;Orange;TPP;137C;MS10	Orange knob only.
H10	1000090177	Pull Pin Handle;Orange;TPP;137C;MS10	
K09	1000210974	Guide Rail;19x2180L	
K10	1000212618	Adjust set;Semi-Assy;;Service;;GM30C;;	Pin + Lanyard
K10	1000372591	Adjustable Pin;Weight Plate;;42CrMo;Chro	
K17	004720-AC	Screw;Hex Socket;Umbrella;M8x1.25Px20L;	
K18	005040-00	Washer;Flat;Diam.8.5xDiam.19.0x1.5T;;Bla	
K19	1000104705	Screw;RND;M6x1.0Px15L;HS;CHM;BP;G8.8	
K25	005847-A	Lanyard;Weight Selection Pin	
K28	1000345425	Stopper Ring;Guide Rod;;;Chrome;GM41;;	
L02	1000098481	Weight Plate, Incremental	
L03	1000098483	Extrawork;Incremental Weight Plate Hook;	
L04	000755-CA	Elastomer;Incremental Weight Plate	
N12	1000375596	Washer;Flat;	
N13	089983	Grip;MS21KM-G3;	
N17	1000380094	Karabiner Spring Snap;;9(45mmx90mm);Sta	
N36	029145-AA	Foam;25.4x5.0tx476L	
N37	009371-E	Cap;Grip;GM03	
N39	009356-B	Stopper Mast;Foam;AL6061;GM03	
N40	004855-AC	Set Screw;M6X1.0PX4L	
Not Shown	1000364887	Cover set;Semi-Assy;back;;;MS23KM-G3;; (Back Cover)	Original logo design; used BEFORE July 2021. See the service bulletin "Top Cap and Shroud Change".
Not Shown	024583-A	Hardware Pack	
Not Shown	1000456271	Cover set;Semi-Assy;back;;New LOGO;;MS23	New logo design; used since July 2021. See the service bulletin "Top Cap and Shroud Change".
T10	008546-F	Leveler Adjustable Cover	
T12	001402-A	End Cap;Round	
T13	001523-E	Rubber Stop;CAM	
T31	004482-AB	Screw;Hex Socket;Round;M8x1.25Px20L;Cr	
V03	006611-E	Decal;Weight Plate;15LBS (Contains decals up to 295lbs)	

V05	006652-C	Decal;Incremental Weight Plate	
V06	006653-C	Decal;Weight Plate	
V07	006610-B	Decal;Foot Pad Adjustable;GM01	
V22	1000109127	Decal;Pinch Point ;MS21KM-G3	
V23	1000232600	Warning Label;-;-;-PC;-;-	
Z01	004535-AC	Screw;Hex Socket;Round;M8x1.25Px30L	
Z04	1000102867	Screw;Hex Socket;Round;M10x1.5Px100L;Cr	
Z05	020465-AB	Washer;Flat;M10.2X25PX2.0T;Chromed	
Z07	004943-00	Nut;Nylon;M10x1.5P;Cr Plate;	
Z08	004519-AE	Screw;Round;Hex Socket;M10x1.5Px80L	
Z10	004556-AB	Screw;Hex Socket;Round;M12x1.75Px25L;Cr;	
Z11	005132-00	Washer;Flat;13x26x2.5T;Chromed	
Z12	005007-00	Washer;Spring;12.2x21.5x3.0t	
Z13	004557-A	SCREW;SH;M6X1.0PX45L;;HS;;CHM;;	
Z14	004938-00	Nut;Nylon;M6X1.0P;Chromed	
Z15	020304-AC	Screw;Hex Socket;M10X1.5PX35L;Cr Plate	
Z16	001513-A	Rubber Block;Shock Absorb	
Z17	004555-AB	Screw;Hex Socket;Round;M10x1.5Px25L;Cr;A	
Z18	008523-B	Washer;Arc;M10x28x10.5T;SS41	
3	1000349148	Movable Pulley Fixing Set;;;Iced Sliver;	
4	1000349225	Foot Adjustable Set;;;Iced Sliver;GM01KM	
AB1	Order Kit 1	Frame Set;;;painting;;;Iced Sliver;MS51KM	
AF1	Order Kit 3	Pulley Fixing Set;;;painting;;;Iced Slive	
AF2	1000434802	Steel Rope Set	Please order kit (F08) instead.
AH1	Order Kit 4	StretchADJSet;Painting;PGM01-G2	
J01	See Pad Matrix	Seat Pad;;Vesicant;Brown;GM02KM-G3;	
J02	See Pad Matrix	Round Pad;;Vesicant;Brown;200;GM01KM-G3;	
J25	See Pad Matrix	Wear Cover	
N06	1000320854	Swivel Axle Washer Plate;;;painting;;MAT	
V25	1000364025	Warning Label;Anti Falling Down;French;;	
V25	1000359953	Warning Label;Anti Falling Down;MS24B;;;	

2	089910	GRIP SET;MS50	Discontinued
4	089908	ADJ STRETCH SET	Discontinued
AE1	084556	Grip #Semi-Assy;MS50	Discontinued
B31	004975-00	Insert Nut;Brass;ALS7-8125-3.8(0.5-3.8)	Discontinued

Total length = 5.342 meters. // If manufactured 1901 or later, return to attention of Chris Deblois. //Note: The cable stopper components are also available to order separately. See the diagram page below.

F08	1000431494	Steel Rope-Extrawork;;;Press Rope Hand;;	
H09	014789-B	Pull Pin Set;;;;;;;;;;GM09	Discontinued
K10	1000091374	Weight Stack Pin;Orange;Zn Plate;M	Discontinued
N12	037986-B	Pulley Set;Steel Rope	Discontinued
N17	078462	Karabiner Spring Snap;;9(45mmx90mm);;Cr	Discontinued
Z12	005018-00	Washer;Spring;SW12 12.2X21.5X3T;Chromed	Discontinued